

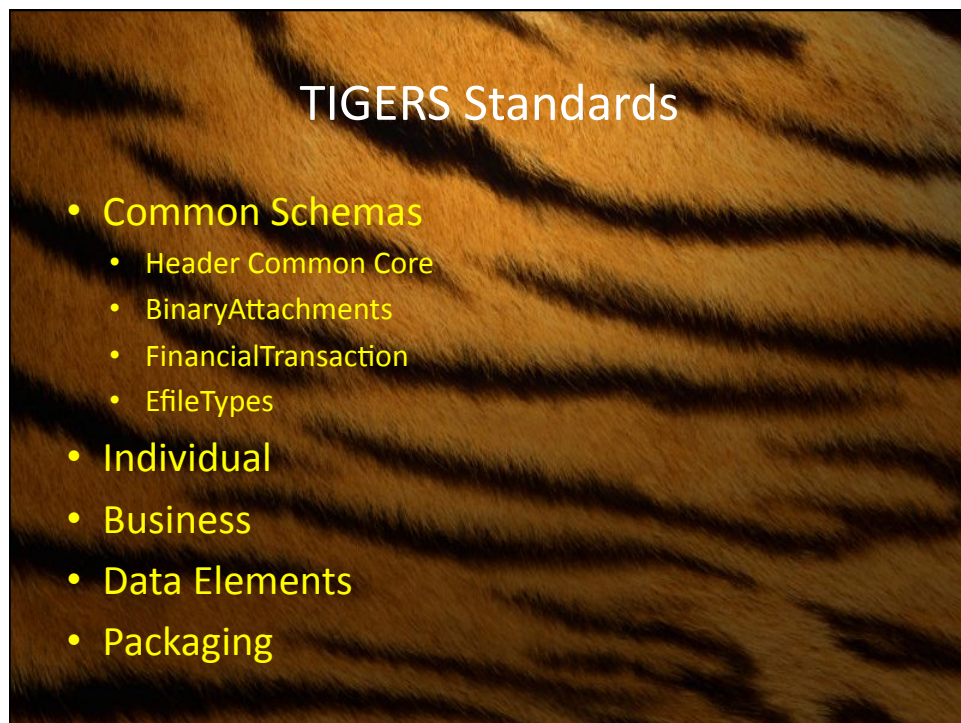
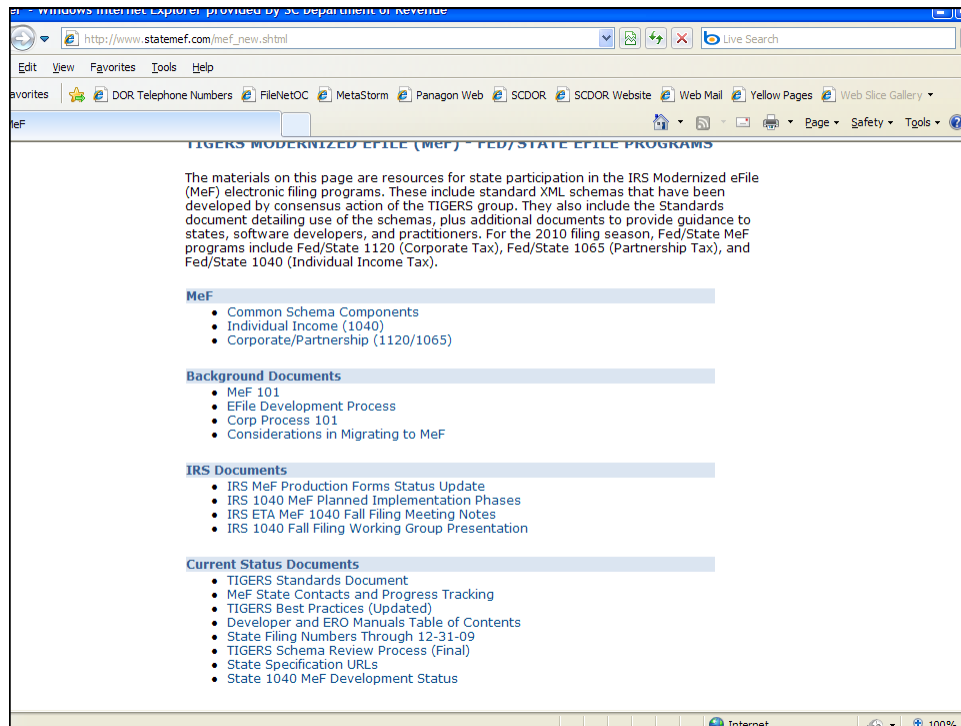
TIGERS Standards and Best Practices

FTA Efile Symposium 2010
Greg Martinez, TIGERS Industry Co-Chair



TIGERS Standards & Best Practices

- **Standards:**
http://www.statemef.com/projects/mef/TIGERS_MeF_STANDARDS.pdf
- **Best practices:**
http://www.statemef.com/projects/mef/Best_Practices_2008.pdf



TIGERS Best Practices

- Element names
- Documenting elements
- Defining types
- Overflow statements
- Binary attachments
- Signature requirements
- Acknowledgements
- Business rules

	<p>TotalAlimonyPaidAmt</p> <p><Description>Total alimony paid </Description> <LineNumber>31a </LineNumber> <ELFFieldNumber>0697 </ELFFieldNumber></p> <p>IRADeductionAmt</p> <p><Description>IRA Deduction amount </Description> <LineNumber>32 </LineNumber> <ELFFieldNumber>0700 </ELFFieldNumber></p> <p>IRADeductionCd</p> <p><Description>IRA Deduction Code </Description> <LineNumber>32 </LineNumber> <ELFFieldNumber>0701 </ELFFieldNumber></p> <p>StudentLoanInterestDedAmt</p> <p><Description>Student loan interest deduction </Description> <LineNumber>33 </LineNumber> <ELFFieldNumber>0702 </ELFFieldNumber></p>	
--	--	--

States schema review process

- Submit new schemas to TIGERS for review
- Send email to statemef@rsimail.com & copy Terry Garber at garbert@sctax.org
- Schemas are reviewed based on TIGERS standards and best practices documents.

Common schema review issues

- Packaging & versioning issues
- Tag name includes line numbers from form
- Tag names longer than 31 characters
- State enumerations missing
- Mandatory parent tag with no mandatory children
- Not current with latest common TIGERS schema release

New issues for States Implementing MeF 1040

- Use forward slashes in include file path

Wrong `<xsd:include schemaLocation="..\..\TIGERS\Common\FinancialTransaction.xsd"/>`

Right `<xsd:include schemaLocation="../../TIGERS/Common/FinancialTransaction.xsd"/>`

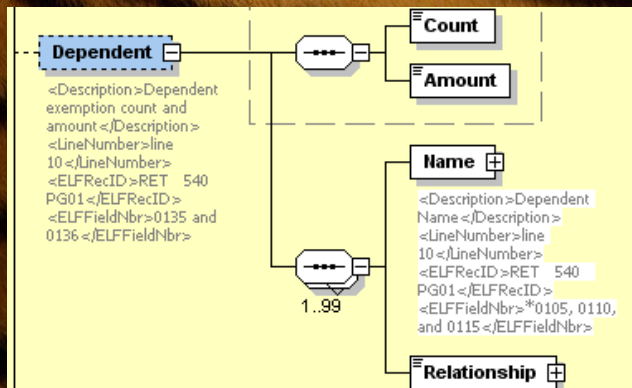
- Change version number each time the schema is updated
 - Makes it easier to track changes
- Use same enumeration for Return Type in header and Submission Type in State Manifest

Best practices for States Implementing MeF 1040

- Create new types rather than restrict existing types.
 - enumerated fields, pattern or length restrictions
 - Not applicable to amount fields
- Avoid using complex types where not all the elements are actually used.
 - Holdover from category based
- Mandatory tags should be defined as such in the schema

Best practices for States Implementing MeF 1040

- Avoid multiple synchronized repeating tags. They should be under a single repeating parent tag.



Best practices for States Implementing MeF 1040

- Try to be consistent with legacy during this transition period.
 - There is still room to make improvements to MeF over legacy
- Avoid required PDF attachments
- Put xpath in acknowledgement, especially for validation errors
- Document tags with form and line number

Best practices for States Implementing MeF 1040

- Boolean vs. checkbox
 - Use Boolean when there is a yes/no box set on the form
 - Use checkbox when there is one of more single checkboxes on the form
 - Typically not mutually exclusive
 - For mutually exclusive checkboxes, create a type with enumerations
 - i.e. – Filing Status

Best practices for States Implementing MeF 1040

- Business rules (a.k.a. reject codes)
 - Granular
 - Use schema to enforce mandatory tags & data format
 - Consistent with legacy
 - Organize by category (follow IRS)
 - Rule number should indicate form number or type of error (follow IRS)

Questions???

- Greg Martinez, Intuit
 - Greg_Martinez@intuit.com